



Ethernet Surge Protector

Model: ETH-SP

Low-Cost Protection and Fast Installation

Protects Outdoor Ethernet Devices

Compatible with 10/100/1000 Mbps Networks



Ethernet Surge Protector

ESD Protection for Outdoor High-Speed Networks

Introducing the Ethernet Surge Protector, model ETH-SP, from Ubiquiti Networks. The ETH-SP is a cost-effective solution for protecting sensitive, third-party Ethernet devices from damaging electrostatic discharge and surges. Since all Ubiquiti airMAX® devices already have robust ESD protection built in, adding the ETH-SP to the installation provides an additional layer of protection to the network.

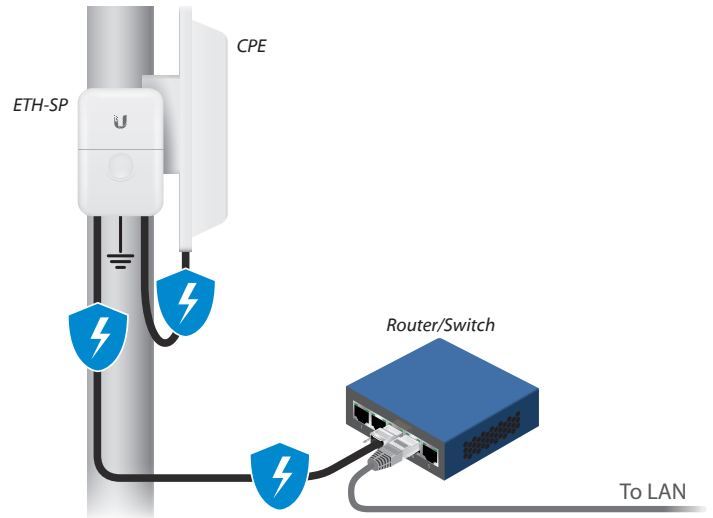
The ETH-SP is engineered to protect any Power-over-Ethernet (PoE) or non-PoE device with connection speeds of up to 1 Gbps. Two passive, surge-protected RJ45 connections provide maximum equipment compatibility.



Ideal for WISP Networks

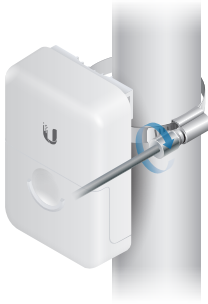
All Ubiquiti airMAX devices are equipped with ESD protection. However, to protect third-party devices, the ETH-SP provides essential ESD protection to guard against costly service calls and downtime.


For example, protect your subscriber networks by installing the ETH-SP next to CPE devices. Damaging ESD attacks and surges will be diverted to the ETH-SP and safely discharged into the ground, so the CPE and other network devices are protected.

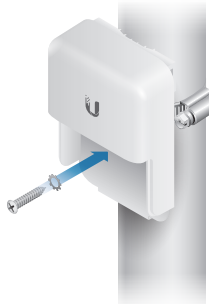


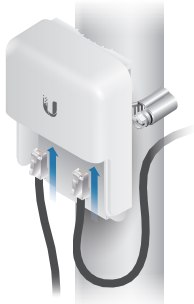
Fast Installation

The ETH-SP was designed for easy, plug and play installation:

- 

1. Attach the ETH-SP to the pole.
- 

2. Drill a pilot hole.
- 

3. Fasten the ground screw.
- 

4. Connect the Ethernet cables.

Specifications

Ethernet Surge Protector	
Dimensions	91 x 61 x 32.5 mm (3.58 x 2.4 x 1.28")
Weight	80 g (2.82 oz)
Interface Connections	(2) RJ45 Female Connectors
ESD/EMP Protection	Absorbing Transient Current with Response to Surge Voltage from 100V/s to 1kV/μs
DC Spark-Over Voltage	90V @ 100V/s
Maximum Impulse Spark-over Voltage	700V @ 1kV/μs
Discharge Current	5kA (Maximum) 0.5kA (Normal)
Maximum Insulation Resistance	1G ohm @ 50V
Maximum Capacitance	1.0 pF @ 1 MHz
Data Line Protection	RJ45 10/100/1000 Ethernet
IEEE 802.3af PoE Support	Yes
Shock and Vibration Certification	ETSI300-019-1.4 Standard
Operating Temperature	-30 to 65° C (-22 to 149° F)
Operating Humidity	10 to 90% Noncondensing



Specifications are subject to change. Ubiquiti products are sold with a limited warranty described at: www.ubnt.com/support/warranty
 ©2014 Ubiquiti Networks, Inc. All rights reserved. Ubiquiti, Ubiquiti Networks, the Ubiquiti U logo, and the Ubiquiti beam logo are trademarks or registered trademarks of Ubiquiti Networks, Inc. in the United States and in other countries. All other trademarks are the property of their respective owners.



www.ubnt.com

PH080614